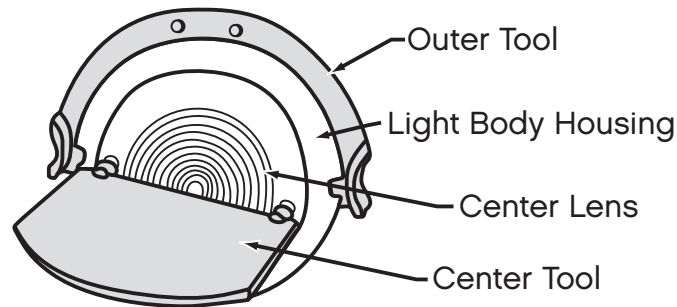


## Light Bulb Replacement

To change a bulb after installation, follow the instructions engraved on the Hydro Tool. The outer tool is to hold the light body from turning; insert the two tabs into the two notches on the outside diameter of the light body while using the inner tool to turn the front lens of the light assembly (counter-clockwise to remove, clockwise to install).



---

## Operating Instructions

- Sequencing your ChromaSoothe light is simply done by utilizing your existing switch.
- To progress to the next lighting sequence turn the unit off and then on again within 2-3 seconds.
- To reset synchronization, turn units off for 5 seconds and turn back on. Units should flash four times and return to the Bright White color mode. When this has occurred, your units have been reset.
- To recommence a color mode, switch units off and your last color mode will be saved in the memory.
- By cycling the On/Off switch, the following sequence will occur:

- Bright White
- Aqua Blue
- Soothing Blue
- Ocean Blue
- Majestic Gold
- Shamrock Green
- Fiery Red
- Chameleon Mode
- Party Mode